

## Accessories: Mounting unit BOS 5-HW-5

### Common Data

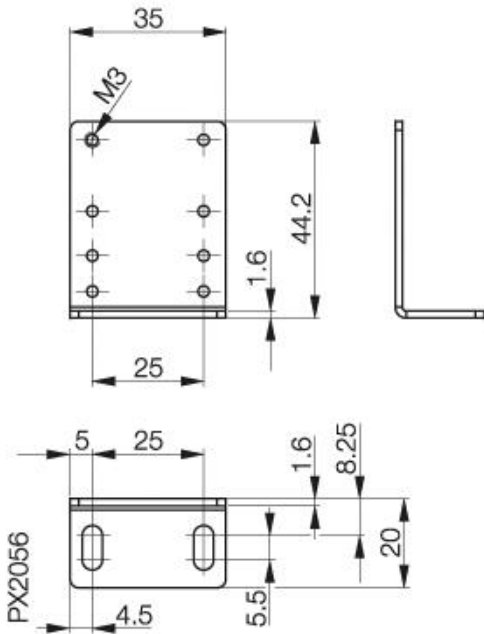
Version  
Usable with

Mounting Bracket  
for Reflector BOS R-26

### Mechanical Data

Measurements W x H x D or Dia x D  
Mounting

35x44x20  
screws



Datasheet number::

Definitions see general catalog.  
If not otherwise noted, ratings according to  
IEC 60947-5-2 (DIN EN60947-5-2)

Balluff GmbH  
Schurwaldstrasse 9  
73765 Neuhausen a.d.F.  
Phone (07158) 173-0 Fax (07158) 5010

Datenblatt by CD-ROM - 04/2007

**BALLUFF**  
sensors worldwide